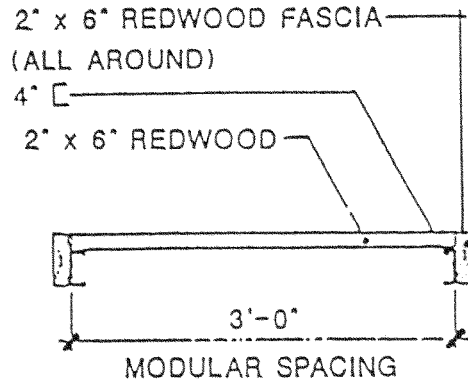
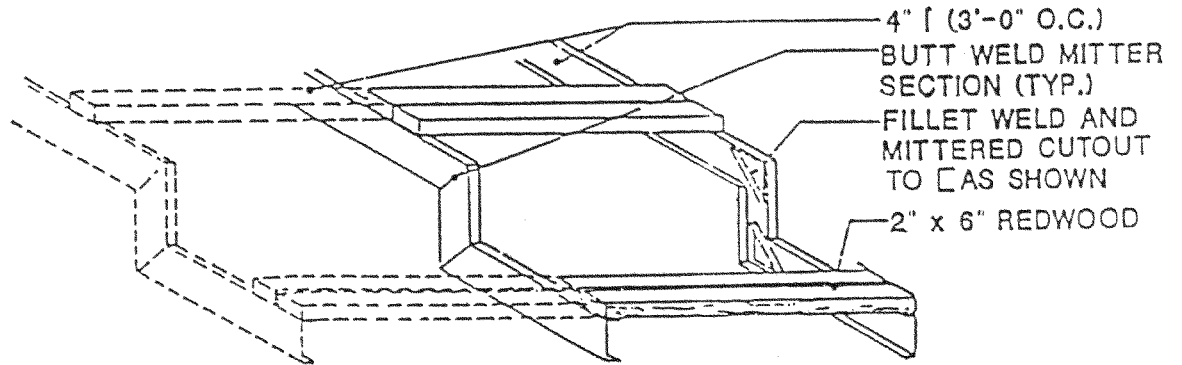




Ocotillo

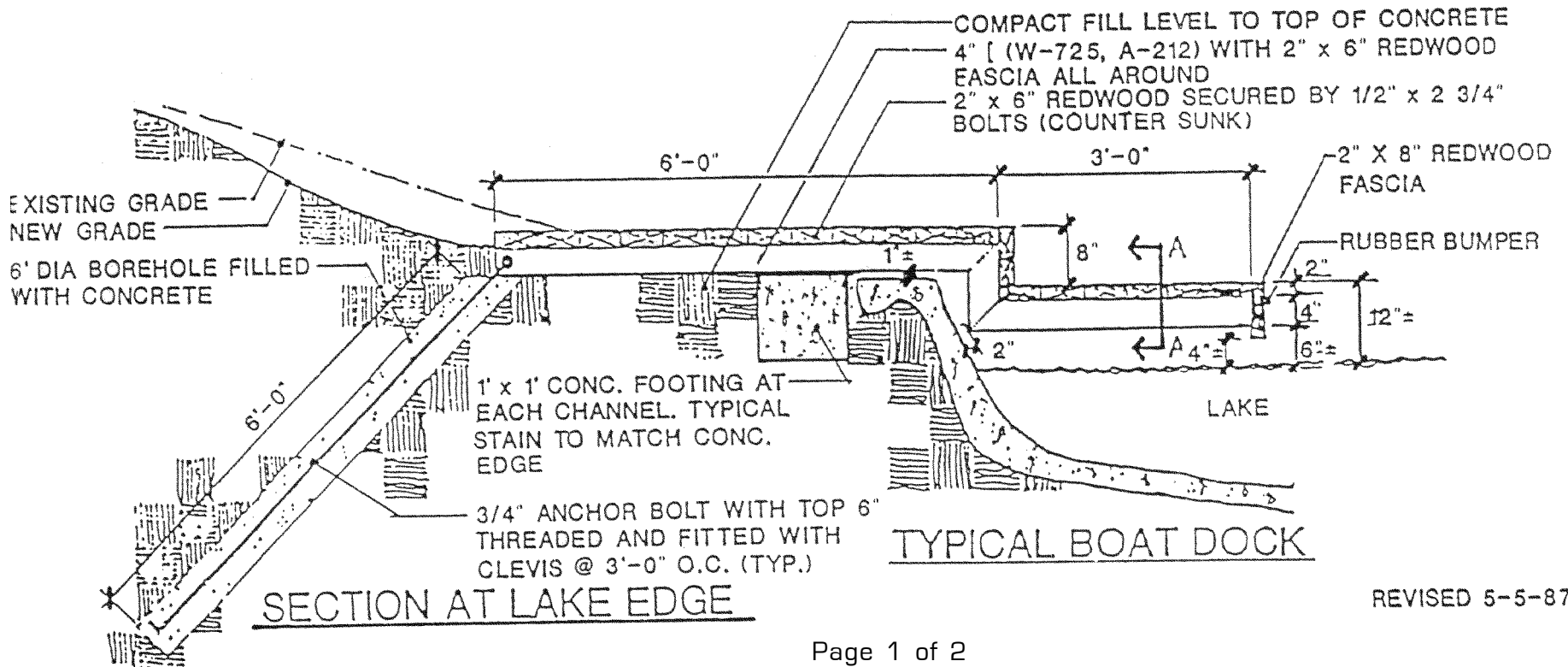


SECTION A-A



DOCKS OF VARIOUS WIDTHS TO BE CONSTRUCTED IN 3' MODULES (3',6',9',ETC.)

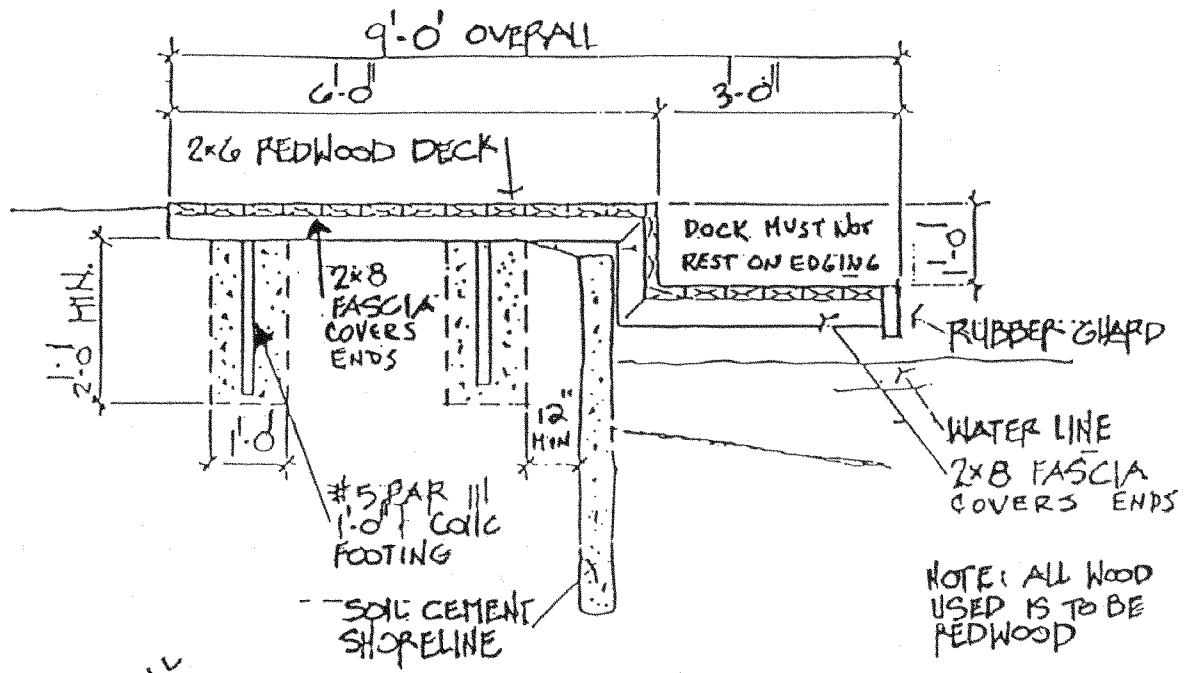
WELDING DETAIL



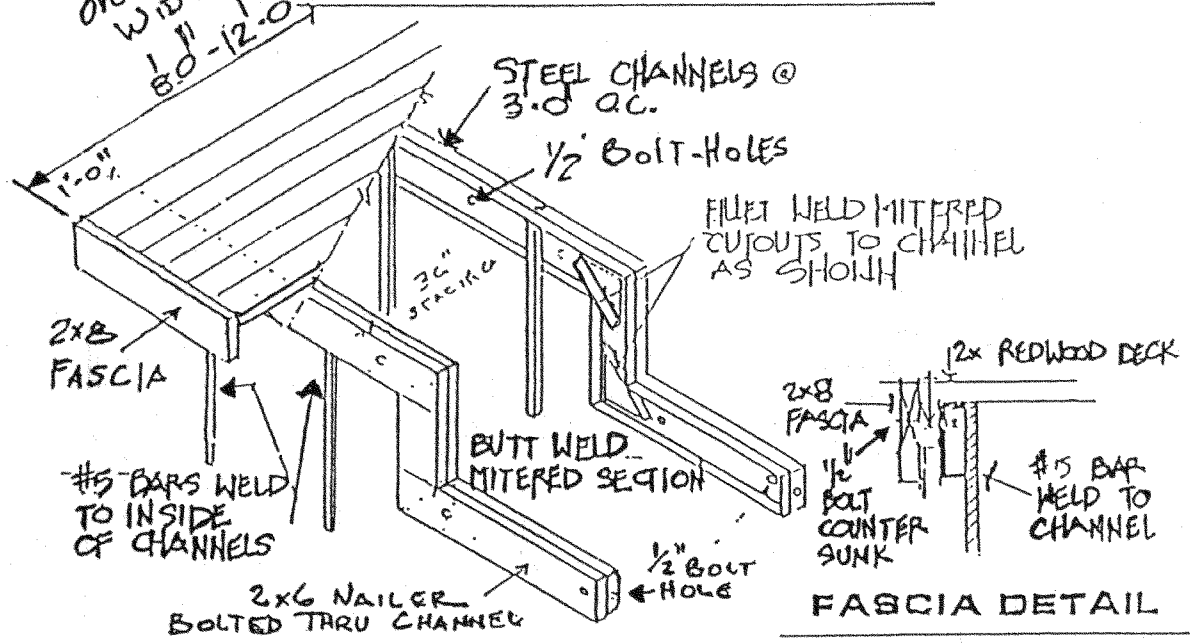
SECTION AT LAKE EDGE

TYPICAL BOAT DOCK

REVISED 5-5-87



SECTION THRU DOCK



TYPICAL DOCK DETAIL

NOTE: LENGTH OF DOCK LIMITED AS FOLLOWS:

- Lot width 50' or less Dock width shall not be more than 10'
- Lot width 50' to 60' Dock width shall not be more than 12'
- Lot width over 60' Dock width shall not be more than 14'

DOCK MUST NOT REST ON EDGE OF LAKE. DOCK MUST CONFORM TO DETAILS HEREON.